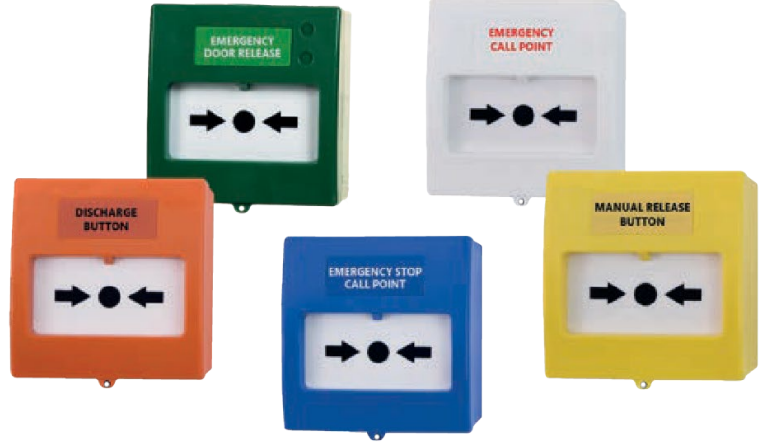


TFB-3165X

Conventional Resettable Coloured Alarm Buttons For Gas Fire Extinguishing Systems Conventional Resettable Coloured Alarm Buttons

Designed to be connected to any brand of conventional fire detection systems. Internal 470-ohm resistance allow ease of installation.

It is suitable for flush and surface mounting. An optional transparent protective cover can be installed. It is easily resettable via specialkey.

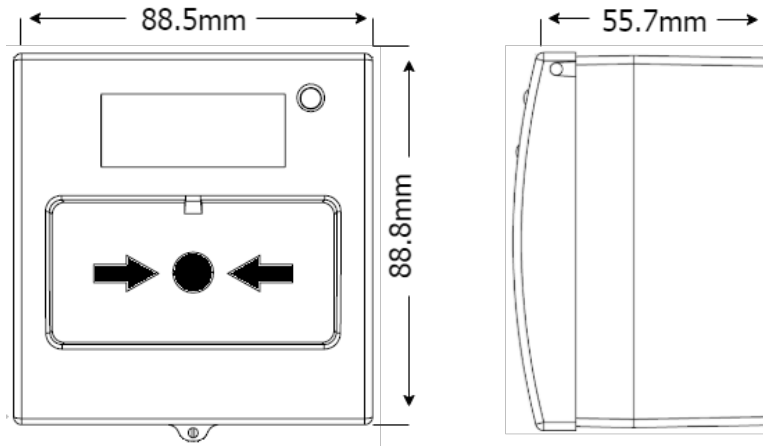


General Features

- Resettable Type
- NC/NO Selection
- Includes 470 Ohm Resistance, does not Require Additional Connection
- Transparent Protection Cover can be Installed. Cover can be Sealed
- Suitable for Flush and Surface Mounting
- Compatible With all Conventional Fire and Theft Alarm Systems
- TFB-3165W, Emergency Call Point – WHITE
- TFB-3165B , Emergency Stop Call Point - BLUE
- TFB-3165Y , Manual Release Button – YELLOW
- TFB-3165G , Emergency Exit Door Release Button – GREEN
- TFB-3165O , - ORANGE

Technical Specifications

	TFB-3165X
Operating Type	A Type Manual
Resettable	Yes
Relay	NC / NO / 470R
Power	5-30 VDC
Dimensions (mm)	165 gr
Weight	88.5x55.7x88.8mm
Color Codes	RAL 9010 White RAL 5002 BLUE RAL 1006 YELLOW RAL 6016 GREEN RAL2011 ORANGE
Type of Fragile Element	Resettable Polycarbonate
Operating Temperature	-10°C ~ 60°C
Humidity	≤93% RH at +40°C
Protection Class	IP30



Teknim Elektronik SAN. ve TİC. A.Ş

Dudullu Organize Sanayi Bölgesi 1.Cadde İsmet Tarman İş Merkezi No:1/32 Ümraniye-İSTANBUL

P: +90 (216) 455 88 46 - sales@teknim.com
www.teknim.com